

TH Range

TH6.36 | TH7.32 | TH7.37 | TH7.42 | TH9.35



Five TH models, countless applications.

At New Holland, we listen to our customers. We appreciate key telehandler demands vary between those seeking a telehandler with the reach to pick up, transport and stack large bales to those who need a maneuverable machine that will see daily use for livestock duties – and everything in between. With the TH series, New Holland has a telehandler to suit specific demands. As a guide, each model number gives a broad indication of its maximum lift height and capacity. As an example, TH6.36 models will lift to 6.10m and offer a 3,600kg capacity, the TH9.35 operating up to 9.10m and offering 3,500kg capacity. Compliant to Stage V emissions standards, enhanced performance and economy are matched to improved comfort and reduced operating costs. The very latest cab sets a benchmark for low noise and comfort. A choice of rear trailer hitch types and hydraulic brake coupling, dependant upon market, are available. The best in class 1000 hour service intervals ensure your investment is kept busy working for longer.

New TH range, as good as gold

For over 20 years New Holland telehandlers have continued to deliver an unrivalled mix of performance, dependability and affordability. The new TH series machines benefit from a striking new yellow and grey livery, reflecting their importance to the hay and forage sector and association with those product lines.



Plus models features include:

- air suspended seat
- HVAC ventilation system
- hydraulic quick coupler
- rear cab light pack
- telescopic steering column
- 1,000hr service intervals

Elite models features include:

- hydraulic pressure release
- armrest mounted joystick
- rear cab and boom light pack
- heated air suspended seat
- automatic steering alignment
- rear electrical sockets
- 40kph max speed
- 1,000hr service intervals
- 160Lpm variable pump



Model	Max reach	Capacity	Power
	m	kg	hp
TH6.36 Plus	6.1	3600	133
TH7.32 Plus	7.0	3200	133
TH7.37 Plus	7.0	3700	133
TH7.42 Plus	7.0	4200	133
TH9.35 Plus	9.1	3500	133
TH6.36 Elite	6.1	3600	145
TH7.37 Elite	7.0	3700	145
TH7.42 Elite	7.0	4200	145
TH9.35 Elite	9.1	3500	145

Plus and Elite models

Plus and Elite models are aimed at the most demanding operators who require maximum productivity and comfort at all times. These machines produce maximum power outputs of 133hp and 145hp respectively from a Stage V, 4.5 litre NEF engine and both feature new 6F-3R PowerShift™ transmissions. The transmission offering features two modes on Plus models, Manual and Semi-auto, Elite models feature three transmission modes, Manual, Semi-auto and Full-auto. The transmission modes make Plus and especially Elite models well suited to transport work and towing capacity with a braked trailer is a massive 20tons. On Elite models, the forward and reverse powershuttle can be selected via buttons on the main joystick or via an optional steering column mounted lever. The Elite range now includes the TH9.35 Elite model featuring a 9.1m reach aimed squarely at professional straw business.

More choice, more productivity.

In response to customer demand and the need to maximise productivity, the new TH product offering reach now five models with a total of nine variants, with three models within the important 7m category. Elite models feature 145hp engines, 3 mode 6x3 PowerShift™ transmissions, piston pump and a seat mounted joystick, Plus models feature 133hp engines and 6x3 PowerShift™ transmissions with 2 modes and a piston pump. All models are available with the new advanced hydraulic features. The new TH range is the product of years of development, investment and listening to customer feedback.

Superior visibility and comfort

The new TH range features an advanced cab design that offers improved comfort, noise suppression and visibility for maximum productivity at any time. The visibility has been increased thanks to a lower bonnet design on the right side of the cab. The new LED light option can produce up to 25,000lumen of combined lighting power to turn night into day and increase safety and productivity.

Enhanced quality

The TH telehandlers feature a twin U shaped robot welded boom, that is extremely rigid and durable. The H shaped ladder chassis has massive torsional strength and is engineered to operate in the most demanding applications. New Holland is committed to ongoing quality improvement and has invested in a new dedicated TH production line between 2012 and 2013.

Ease of ownership

Downtime is the enemy of productivity, that is why all TH telehandlers are engineered to minimise the need for routine maintenance for optimised dependability. Daily checks and routine care has been simplified, making it easier to look after the handler between its extended 1000-hour service intervals.

6.1m - 9.1m max reach

Automatic reversible cooling fan

Stage V ECOBlue™
HI-eSCR 2 engine, up to 145hp

1000 hour service intervals

3 mode steering with
auto alignment option





3.2 - 4.2 ton lift capacity

Up to 10 LED lights

Optional complete auto lubrication system

Hydraulic quick-coupler option

360° vision, 71dB(A) noise levels

External Aux pressure relief switch

New 6x3 PowerShift™ transmission

Best in class service access

Industrial or Agricultural tyre options

See more for better productivity.

New Holland has taken its established expertise in tractor cab design and applied it to the 360° Vision Cab. Offering class-leading space and comfort, the cab affords excellent all-round visibility with an unparalleled view of the front of the carriage / forks when fully lowered. In work, this extra visibility boosts productivity in duties to include loader work and speeds up attachment changeovers.

More glass, brilliant visibility

Extensive research by New Holland has led to the development of the 360° Vision Cab. A key aim was to help reduce 'blind spots' over the front of the boom, particularly when fully raised and fully lowered. By combining a wide and deep front screen with slim 'A' pillars, the visibility from the operators seat is greatly enhanced. Thanks to the new bonnet design, the front right side view has been improved with more than 9% enlargement.

Engineered for low noise

The best way to reduce noise is to eliminate its sources. By combining a number of design developments, TH in-cab noise levels are just 71dB(A). A key to the low noise levels is the ECOBlue™ HI-eSCR 2 equipped engines, these clean running power units also offering exceptionally low bystander noise levels.





Cab and controls

- All models feature an electronic joystick mounted on the seat armrest
- Gear selection, neutral, forward/reverse shuttle, transmission de-clutch, boom and 3rd service functions can be operated from the joystick
- A steering column mounted shuttle lever is also optional on Elite models
- Steering wheel adjusts for both tilt and reach
- The heated air suspended seat is standard

Eight vents for comfort

- Powerful air-conditioning system ensures day long comfort
- Eight adjustable louvers direct warm or cool air to where its needed
- The cab also features opening rear and door windows for fresh air entry



New LED lights

- Powerful LED lighting package can now be specified as an option
- Each LED light outputs 2500 lumen
- A total of 10 LED lights give all round visibility for enhanced safety and productivity
- Up to 5 front facing, 3 rear facing and 2 side facing LED lights can be fitted



- Transmission de-clutch & gear selection in addition to boom and 3rd service functions, can be operated from the joystick
- A forward /reverse shuttle lever is mounted on the joystick
- The steering column on Plus models features both height and tilt adjustment
- A pneumatic suspended seat is default spec on Plus models. For all models the air suspended seat can be upgraded with a heating function



Best in class armrest for maximum comfort and ergonomics

- The new armrest provides maximum arm and wrist comfort when using the joystick
- All main boom and machine controls are very close to operator allocated in a comfortable keypad on the armrest
- An ergonomic encoder gives the possibility to set parameters and interacts with the new InfoView™ screen
- A new keypad includes all the main controls of smart hydraulic features, shuttling, engine speed management, hydraulic power management, boom aggressiveness, rear view camera, different working mode



New InfoView™ LCD 7" display

Control all the parameters of your machine has never been so simple. Every setting and info are under your eyes inside a user-friendly 7" screen. All the machines' parameters are very clear and visible to ensure the best driving experience. The InfoView™ screen also include the rear-view camera automatically triggered when you go in reverse.



More safety

The new TH is featured with a new Load Moment Indicator (LMI) system with LED and stable risk level. The LMI warns the operator when the machine reaches the maximum authorized load condition checking the load on the rear axle. The new system is now available with more stable signal and led lights showing a scale of tipping risk (green no risk, red high risk of tipping and hydraulics locked).



Clean performance. Responsive productivity.



TH telehandlers are powered by Stage V compliant, NEF 4.5 litre, four-cylinder engines, manufactured in house by FPT Industrial. Proven in the New Holland T6 tractor models, these exceptionally clean running engines employ ECOBlue™ HI-eSCR 2 technology, have industry leading 1000 hour service interval and a proven economy and dependability record. Rated power outputs are 121hp for the non-Elite models and 131hp for the TH Elite. These figures climb to 133hp and 145hp as engine speed drops to 1,800rpm. To minimise power loss, the engine flywheel connects directly to the transmission via a heavy-duty 280mm torque convertor, a transfer box directing power to the front and rear axles. TH Elite models achieve a maximum 40km/hr transport speed, and both Elite and non-Elite models feature a transport mode that, when manually activated, automatically locks the boom functions. Transport mode also prevents the operator from activating 4WS or crab steer modes, permitting front axle steering only.



Reversing fans keep everything cool

- Main engine radiator fan reverses every 6 minutes and runs for 15 seconds
- Dust and debris are blown from the engine cooling package, oil coolers and intercooler
- The same cycle is repeated by two electrical fans to clean air-con, fuel cooler and transmission radiators



Bigger tyres, more choice

- TH telehandlers are fitted with 460/70R24 tyres
- Wider 500/70R24 option can be specified
- Ground clearance at the lowest point under the axles is a generous 415mm
- Industrial tyre option are now available in 460mm size



New TH 6x3 transmission keeps it simple

- Gear changes are made via buttons on the seat mounted joystick
- New gear ratios result in greatly improved performance when climbing gradients and towing in higher transport gears
- Smooth direction changes are made via the steering column mounted shuttle lever
- Noticeably smoother shifting and acceleration are a result of the new transmission
- Single, manual transmission mode keeps things simple



TH Plus & Elite 6x3 transmission features auto modes

- Plus models feature a new 6F x 3R PowerShift™ transmission with 2 modes, Manual and Semi-auto
- Semi-auto mode is effective in gears 4, 5 and 6 and is ideal for transport duties
- When activated it selects the gear most appropriate to the forward speed and engine rpm
- Towing capacity with a braked trailer is 20tons
- Elite models feature the new 6x3 transmission with 3 modes, Manual, Semi-auto and Full-auto
- Full-auto mode is active between gears 2 -6 for great roading performances; Semi-auto mode operates between gears 2 - 4 to maximize productivity in yards and tight spaces
- Memory shuttle on Elite models remembers the last used forward and reverse gears when changing direction
- Choose between 3 driving modes: travel, loader or handler mode



Full time 4WD and auto traction control

- All TH models feature full time 4WD as standard
- Front limited slip differential is also standard on all models
- Rear LSD available on Plus and Elite models
- The differential directs up to 45% of available torque across the axle to ensure the wheel with the greatest traction always gets power



Hydraulic wet disc brakes

- Sealed wet disc brakes on both TH axles require minimal maintenance and can handle high transport speeds
- The hydraulic trailer brake circuit is linked to the TH's brakes to enhance safety
- The parking brake* is automatically activated at any time the engine is switched off; it can be manually engaged by shuttle lever on steering column or via a dash mounted switch

* SAHR system (Spring Applied Hydraulic Release).

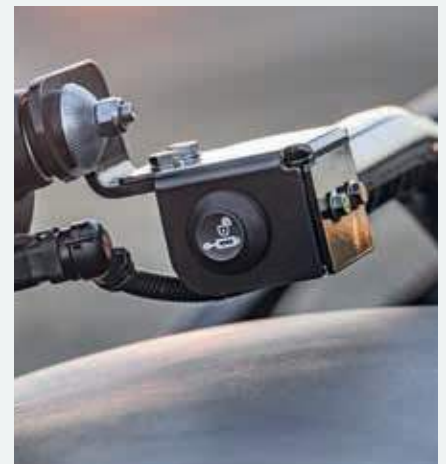


Manoeuvrability and steering modes

- Turning radius when 4WS is engaged is just 3.9m
- Transport mode permits the selection of 2WS only
- TH Elite models offer auto wheel alignment when switching between, all-wheel, crab and front steering; this feature is available as option for Plus models

Powerful hydraulics deliver fast work cycles.

Efficient hydraulics are key to telehandler productivity. This goes beyond pump capacity; efficient use of available oil, optimised ram sizes and effective control valves all making a contribution to overall performance. The new TH models benefit from New Holland's 20 years of telehandler development, careful attention to the design of the hydraulic circuit not just improving cycle times but also in ensuring performance is maintained in demanding conditions to include extreme heat. Up to two optional front auxiliary hydraulic outlets, complete with valves and diverters, to control front mounted attachments can be specified. Additional rear auxiliary lines are also available.



Variable pump delivers high output at low engine speeds

- TH Plus models are fitted with a high performance, variable displacement, 140Lpm piston pump, on Elite models the maximum pump output is 160Lpm for a cycle times improvement of up to 25%
- Guaranteed to deliver high flow rates at all engine speeds but to also close down when there is no demand on the system
- This allows more engine power to be diverted to the transmission and is of particular value in duties to include transport and when climbing a silage clamp

External pressure release switch

- Switch attachments over quickly and easily without returning to the cab by pressing the Aux pressure relief switch located above the front fender

Models		TH6.36	TH7.32	TH7.37	TH7.42	TH9.35
Hydraulic cycle times (unladen)						
Lift	(seconds)	6.7	6.7	6.7	6.7	6.7
Lower	(seconds)	5.2	5.2	5.2	5.2	5.2
Extend	(seconds)	5.2	6.2	6.2	6.2	7.9
Retract	(seconds)	3.7	4.5	4.5	4.5	6.3
Bucket Dump	(seconds)	2.8	2.8	2.8	2.8	2.8
Bucket Crowd	(seconds)	2.8	2.9	2.9	2.9	2.9



High flow hydraulic for best-in-class time

All the TH Elite models are now equipped with the new 160l/min hydraulic pump to extend the productivity. This new feature reduces about 25% the cycle time in lifting and lowering to complete the job faster.



Forklift mode

The new forklift mode will help you by simplifying stacking thanks to an automatic boom extension/retraction in lifting commanded by the operator to reach vertical position.



Adjustable boom aggressiveness

Customize the joystick sensitivity to match with all different drivers and applications. You can select between the low sensitivity which make move the boom on a long joystick movement for precision tasks, or the high sensitivity which is ideal to maximize the working speed.



Active bucket shake

This new feature will facilitate your daily work and improve the driving comfort of your TH. It's now possible to activate the automatic bucket shaking to reduce the operator effort and get a more efficient discharge operation.



Hydraulic power management

When pushing into piles of material with high resistance, it's essential to have constant hydraulic power to keep the task at hand going. That's why the new TH are equipped with the hydraulic power management which automatically increases the engine speed when it recognises heavy loads.

Strength by design.

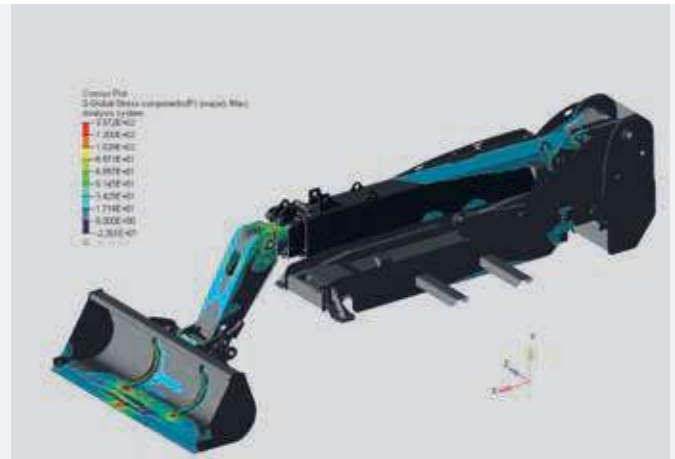
New Holland employs state-of-the-art manufacturing techniques and has invested millions in the production line for TH models. Robot welding is a key manufacturing process and ensures consistent quality during chassis and boom construction.

- Hydraulic end-stroke dampers ensure smooth boom retraction and extension
- Dampers also protect the boom and operator from regular shock loads
- Engineered 40/60 weight distribution eliminates the need for bolt-on counterweights
- Excellent stability and traction is achieved when loaded
- Chassis strength is boosted as a result of the in-built mass
- 45° low profile headstock design enables complete filling of roof cavities
- 142° tilt angle is default on Plus and Elite
- Manual or hydraulic attachment lock is available



Boom construction

- Twin U-shaped sections, 10mm - 12mm thick form the boom
- Heavy duty pins ensure optimum durability
- Boom wear pads are easy to adjust
- Boom brushes prevent debris entering the sliding sections



Lifting geometry

- The main lift ram is positioned under the boom
- Boom compensation cylinders have been replaced by an automatic attachment levelling system
- Thanks to a position sensor, the bucket levelling is electronically adjusted to always use the full bucket capacity without no losses
- This new system is easy to operate, it reduces the operators' fatigue and reduce the maintenance cost & time due to the removal of the compensation cylinder



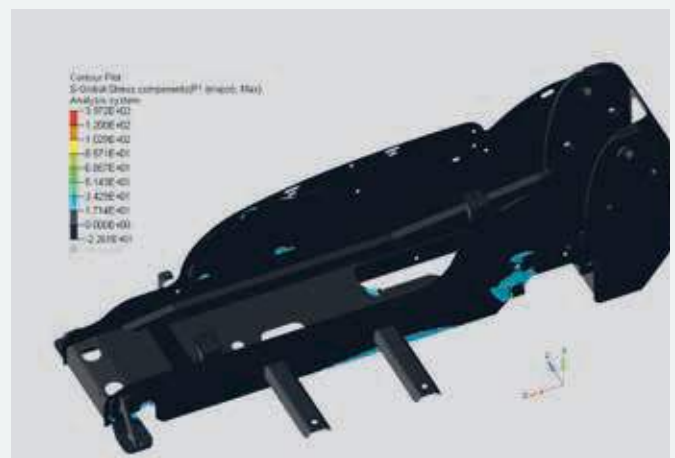
Boom suspension

- Optional boom suspension reduces shock loads over rough terrain
- Automatic deactivation occurs when the boom exceeds a 35° lift angle



Chassis construction

- H-shape ladder chassis is made from 25mm high tensile steel
- Robot welding ensures exceptional torsional rigidity
- Exceptionally strong boom support negates the need to add extra counterweights



360°: TH.

New Holland has worked hard to reduce the maintenance demands of its new TH telehandlers and now boasts industry leading service intervals of 1000 hours for the engine and 1000 hours for the transmission oil.



- Adjusting the telescopic boom pads has been simplified, a simple nut screw and lock nut system making adjustment quick and easy



- 140 litre fuel tank features a wide filler neck and is easy to access
- 27 litre capacity AdBlue tank is conveniently located next to the diesel tank for simultaneous refilling



- All models feature 12 daily grease points
- Grouped grease nipples are optional to grease the axles, lift and compensation cylinders



Auto lubrication system

- New auto-lube system ensures that all important lubrication points receive the right amount of grease at the right time
- Manual activation is possible from the cab
- Headstock grease points are serviced by a separate dispenser unit
- An additional dispenser unit is fitted to the extra boom section on 9m models



- The engine air filter is easy to check, clean or replace, without the need for tools

The engine hood lifts on gas struts for full access.

1000 hour service interval for engine.

1000 hour service interval for transmission oil.

The compact cooling package is mounted on a frame that enables the radiators to both swing out and tilt for easy cleaning.



New Holland Services.



Finance tailored to your business

CNH Industrial Capital, the financial services company of New Holland, is well established and respected within the agricultural sector. Advice and finance packages tailored to your specific needs are available. With CNH Industrial Capital, you have the peace of mind that comes from dealing with a financing company that specialises in agriculture.



Trained to give you the best support

Your dedicated New Holland dealer technicians receive regular training updates. These are carried out both through on-line courses as well as intensive classroom sessions. This advanced approach ensures your dealer will always have the skills needed to look after the latest and most advanced New Holland products.

Uptime Warranty – because your peace of mind is priceless

Uptime Warranty programme provides owners of New Holland agricultural machinery with repair services covering your machinery over the Manufacturer's contractual Warranty. Maximum control over operating costs, repairs completed by authorized NH Dealers using NH genuine parts, higher re-sale value of your machine, transferable coverage.



MyNew Holland



Harvest Excellence



MyPLM®Connect Farm



New Holland Apps

MyNew Holland - Harvest Excellence - Grain Loss Calculator - Product Apps - New Holland Weather - MyPLM®Connect Farm - PLM Solutions - PLM Calculator - PLM Academy

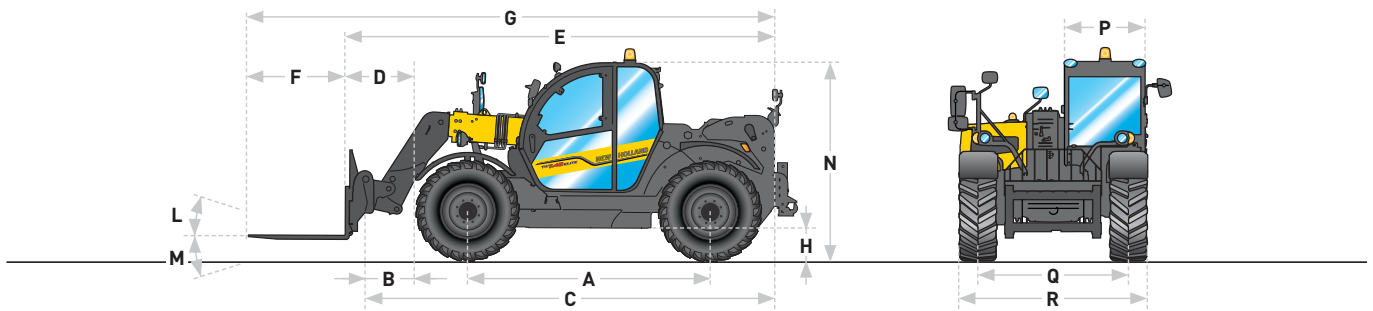
New Holland Style

Want to make New Holland a part of your everyday life? Browse the comprehensive selection on www.newhollandstyle.com. A whole range of items are available including hard wearing work clothing and a vast selection of scale models, together with so much more. New Holland. As individual as you.

18 SPECIFICATIONS

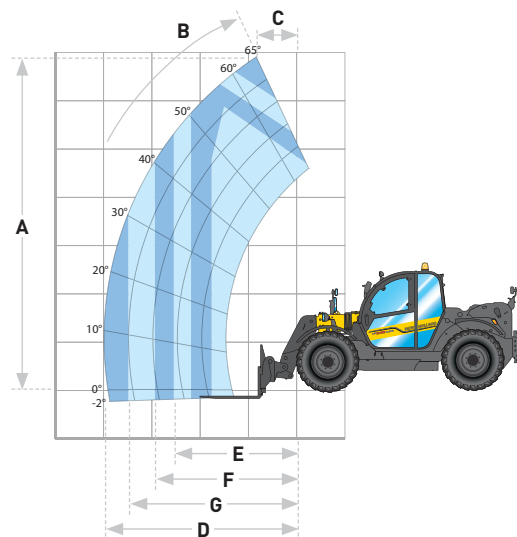
Models	TH6.36 Plus	TH7.32 Plus	TH7.37 Plus	TH7.42 Plus	TH9.35 Plus	TH6.36 Elite	TH7.37 Elite	TH7.42 Elite	TH9.35 Elite	
Engine*	NEF N45									
Compliant with engine emissions regulations	Stage V									
Displacement / No. of cylinders / Valves	4500 / 4 / 4									
Aspiration	Turbo Aftercooler									
Fuel system	High Pressure Common Rail									
Exhaust system	ECOBlue™ HI-eSCR 2 [Selective Catalyst Reduction]									
Rated power - ISO 14396 - ECE R120	[kW/hp(CV)]	89/121@2200rpm				96/131@2200rpm				
Max power - ISO 14396 - ECE R120	[kW/hp(CV)]	98/133@1800rpm				107/145@1800rpm				
Max torque - ISO 14396 - ECE R120	(Nm)	549@1500rpm				591@1400rpm				
Transmission										
Traction	4WD									
Type of transmission	PowerShift™									
Number of gears	(FxR)	6x3								
Gear shifting modes	Manual, Semi-Auto				Manual, Semi-Auto, Full-Auto					
Gear shifting control	Incorporate on joystick									
Shuttling control	Lever on steering column				Incorporate on joystick optional lever on steering column					
Max speed	(kph)	40			34		40			
Brakes										
Service brake actuation	Hydraulic power assisted									
Service brake type	Oil immersed discs									
Discs per axle	(front / rear)	6 / 4								
Parking brake	SAHR (Spring Applied Hydraulic Release) integrated in Front Axle									
Axles and differentials										
Front axle type	Limited Slip differential									
Rear axle type	Limited Slip differential									
Steering										
Actuation	Power steering									
Operating modes	2WS, 4WS, Crab									
Manual wheel alignment with visual indicators	●	●	●	●	●	-	-	-	-	
Automatic wheel alignment	○	○	○	○	○	●	●	●	●	
Tyres										
Size	460/70R24 - 500/70R24	460/70R24	460/70R24 - 500/70R24							
Pattern type	Agriculture, Industrial									
Hydraulics										
Variable flow pump - 140Lpm / 160Lpm	●	●	●	●	●	●/○	●/○	●/○	●/○	
Front auxiliary flow	(Lpm)	130								
Rear auxiliary flow	(Lpm)	140								
Boom/Tilt control	Pilot				Electro-Proportional					
Boom extension control	Electro-Proportional									
Auxiliary circuits control	Electro-Hydraulic (on/off)				Electro-Proportional					
Cycle time - Lift 140Lpm / 160Lpm	(seconds)	6.7 / -	6.7 / -	6.7 / -	6.7 / -	6.7 / -	6.7 / 5.2	6.7 / 5.2	6.7 / 5.2	
Cycle time - Lower 140Lpm / 160Lpm	(seconds)	5.2 / -	5.2 / -	5.2 / -	5.2 / -	5.2 / -	5.2 / 5.2	5.2 / 5.2	5.2 / 5.2	
Cycle time - Extend 140Lpm / 160Lpm	(seconds)	5.2 / -	6.2 / -	6.2 / -	6.2 / -	7.9 / -	6.2 / 5.4	6.2 / 5.4	7.9 / 6.9	
Cycle time - Retract 140Lpm / 160Lpm	(seconds)	3.7 / -	4.5 / -	4.5 / -	4.5 / -	6.3 / -	4.5 / 4.1	4.5 / 4.2	4.5 / 4.1	
Cycle time - Dump 140Lpm / 160Lpm	(seconds)	2.8 / -	2.8 / -	2.8 / -	2.8 / -	2.8 / -	2.8 / 2.8	2.8 / 2.8	2.8 / 2.8	
Cycle time - Crowd 140Lpm / 160Lpm	(seconds)	2.9 / -	2.9 / -	2.9 / -	2.9 / -	2.9 / -	2.9 / 2.9	2.9 / 2.9	2.9 / 2.9	
Electrical										
Alternator	(Amps)	120								
Battery	12V-180Ah-1000A									
Cab										
Vision	360°									
Structure	ROPS - ISO 3471 / FOPS - ISO 3449									
Cab noise level - LpA - ISO 6396:2008	(dB(A))	71								
Air conditioning	●	●	●	●	●	●	●	●	●	
Air suspension seat	●	●	●	●	●	-	-	-	-	
Heated Air suspension seat	○	○	○	○	○	●	●	●	●	
Joystick mount	Console mounted				Seat mounted					
Steering column	Tilting and telescopic									
Capacities										
Fuel tank	(Litres)	140								
AdBlue tank	(Litres)	27								
Engine oil	(Litres)	12								
Hydraulic oil tank	(Litres)	105								

● Standard ○ Optional - Not available * Developed by FPT Industrial



Models		TH6.36	TH7.32	TH7.37	TH7.42	TH9.35	
Dimensions							
A	Wheelbase	(mm)	3000	3000	3000	3000	
B	Axle to carrier	(mm)	1030	1280	1280	1280	1510
C	Carrier to rear of machine*	(mm)	4860	5110	5110	5110	5340
D	Axle to fork heel	(mm)	1160	1410	1410	1410	1640
E	Fork heel to rear of machine*	(mm)	4990	5240	5240	5240	5470
F	Pallet forks length	(mm)	1200	1200	1200	1200	1200
G	Overall length	(mm)	6190	6440	6440	6440	6670
H	Ground clearance	(mm)	415 / 440	415	415 / 440	415 / 440	415 / 440
L	Rollback angle	(°)	24	24	24	24	24
M	Dump angle	(°)	118	118	118	118	118
	Total angle	(°)	142	142	142	142	142
N	Cab height**	(mm)	2445 / 2470	2445	2445 / 2470	2445 / 2470	2445 / 2470
P	Cab width	(mm)	1020	1020	1020	1020	1020
Q	Wheel track**	(mm)	1870 / 1840	1870	1870 / 1840	1870 / 1840	1870 / 1840
R	Overall width [outside tires]	(mm)	2340	2340	2340	2340	2340
	Turning radius outside tires - 4WS**	(mm)	3910 / 4090	3910	3910 / 4090	3910 / 4090	3910 / 4090
	Operating weight***	(kg)	7940	8000	8000	8000	8580

* Without rear hitch ** with smaller / larger tires *** Includes forks, full fuel tank and driver



Models		TH6.36	TH7.32	TH7.37	TH7.42	TH9.35	
Main performance							
	Max lift capacity	(kg)	3600	3200	3700	4200	3500
	Lift capacity at full height	(kg)	3600	2500	2500	2500	1500
	Lift capacity at full reach	(kg)	1500	1300	1400	1500	500
A	Max lift height	(mm)	6050	7000	7000	7000	9150
B	Max lift angle	(°)	61	65	65	65	61
C	Reach at max lift height	(mm)	900	850	850	850	2660
D	Max forward reach	(mm)	3300	4050	4050	4050	6800
E	Reach with 2000 kg load	(mm)	3000	2950	3130	3500	3470
F	Reach with 1500 kg load	(mm)	3300	3650	3820	4050	4220
G	Reach with 1000 kg load	(mm)	3300	4050	4050	4050	5280

New Holland Top Service: customer support and customer information.



Top Availability

If you need information, or have an out of hours question, ring our toll-free number*. All day, every day, we are just a call away.



Top Speed

Express parts delivery: when you need it, where you need it!



Top Priority

Fast-track solution during the season: because your harvest can't wait!



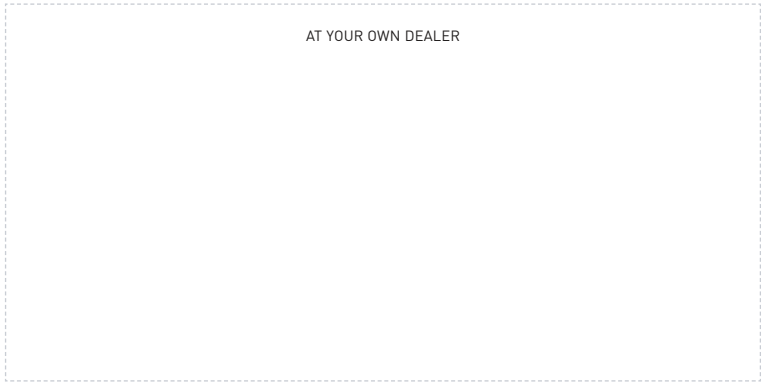
Top Satisfaction

We drive and track the solution you need, keeping you informed: until you are 100% satisfied!



For more details, ask your New Holland dealer!

* Calls to the Top Service team are free from landlines in the United Kingdom and Republic of Ireland. UK-based mobile calls are also free, but Republic of Ireland mobile users should call 01 2421881 and this will be charged at your standard network rate.



www.newholland.com/uk - www.newholland.com/ie



The data indicated in this folder are approximate. The models described here can be subjected to modifications without any notice by the manufacturer. The drawings and photos may refer to equipment that is either optional or intended for other countries. Please apply to our Sales Network for any further information. Published by New Holland Brand Communications. BTS Adv. - Printed in Italy - 02/24 - (Turin) - 231001/INB